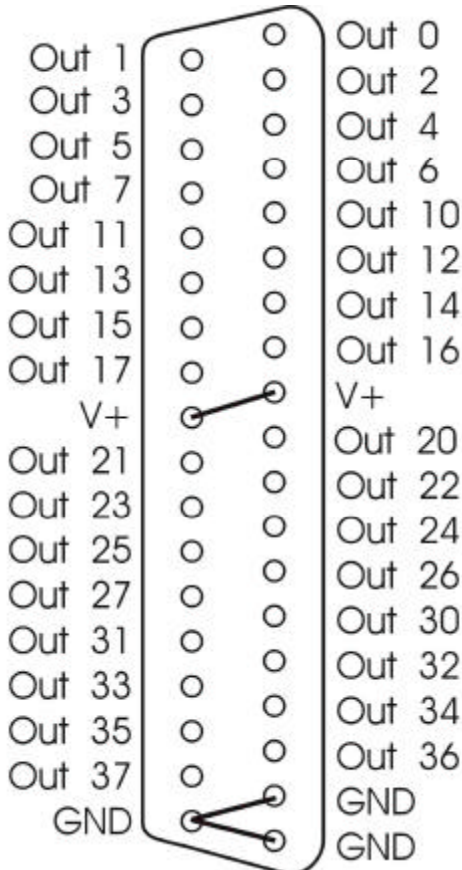


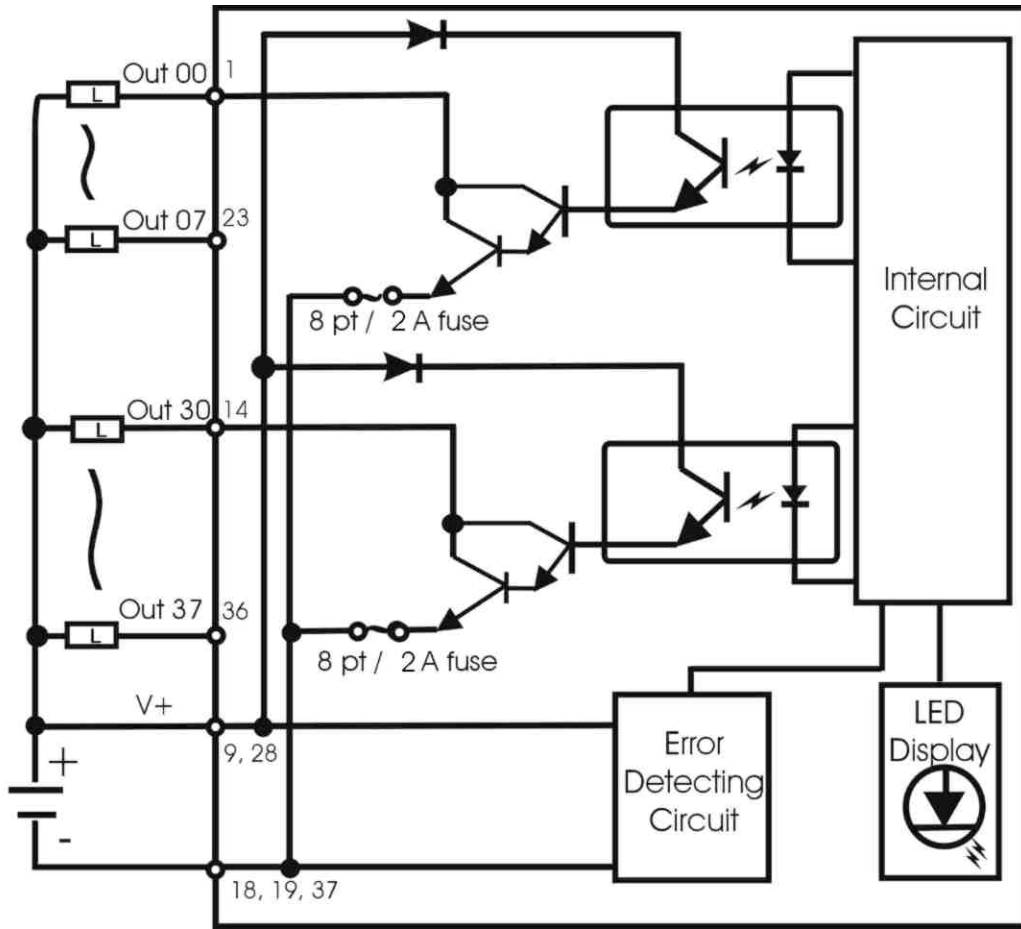


Specifications		
Number of output points	32 points	
Insulation method	Photocoupler	
Rated load voltage	12/24 VDC	
Operating voltage range	10VDC~35 VDC	
Type	NPN/Sink	
Max. load current	0.1 A/pt, 0.8 A/fuse	
Max. output current	0.4 A/10 ms or less	
Leakage current at OFF circuit	0.1 mA or less	
Max. voltage drop at ON circuit	1.5 V or less	
Response time	OFF→ON	2 ms or less (24 VDC)
	ON→OFF	2 ms or less (24 VDC)
Common terminal arrangement	32 points/common	
Fuse rating	4 fuses of 2 A each	
External power supply	Voltage	12/24 VDC (10 VDC~35 VDC)
	Current	120 mA
Internal current consumption	100 mA, (all points ON)	
Error display LED	LED goes ON when fuse blows or no external power	
Operating indicator LED's	ON state is indicated	
External connections	37-pin D sub-connector	
Weight	260 g	

Module Connector



### Equivalent Output Circuit Diagram



### XDC20-TB Wiring Diagram

