

Mini Hardbook SoftPLC™ Processor

Cat. No. HB-MOLE-x

General Description

Hardbook SoftPLC's are open architecture controller CPU's that can connect to a wide variety of I/O and communication networks. Hardbook SoftPLC's are customized at the factory to application specific configurations and include hardware assembly, driver installation, system software configuration, and system level testing.

Hardbook SoftPLC models differ only in the discrete I/O capacity (see table). Analog or special purpose module I/O channels allowed are limited only by the selected hardware, not the SoftPLC. For Tealware I/O, allow for 16 discrete points for every 4 analog channels, input or output respectively based on the module type.

Mini Hardbook SoftPLC Features

Hardbook SoftPLC's include the rich set of functions provided by SoftPLC Control Software, including:

- ◆ Powerful Ladder Logic instruction set
- ◆ Loadable Instructions for specialized or user-written functions
- ◆ Unlimited user application memory for logic and data table
- ◆ All application documentation resides in the SoftPLC CPU
- ◆ Wide variety of I/O Drivers - ModbusTCP, Modbus Serial, and many others



Front View

- ◆ Communication Drivers - A-B Ethernet, DF1, Modbus serial, ModbusTCP/UDP, others
- ◆ Compatible with all HMI/SCADA products
- ◆ Embedded Gatecraft™ Firewall technology
- ◆ Ladder logic/data table addressing similar to Allen-Bradley PLC-5/SLC-500 with import/conversions available
- ◆ (2) Ethernet, (3) Serial, (2) USB communication ports
- ◆ Compact size saves space
- ◆ Front accessible for easy wiring
- ◆ Heavy Duty Metal Enclosure with DIN or panel mounting brackets
- ◆ Fanless operation
- ◆ Internal Compact Flash

Available Models & I/O Capacities

Catalog Number	Discrete Inputs	Discrete Outputs
HB-M0LE-LT	up to 128	up to 128
HB-M0LE-1K	up to 1024	up to 1024
HB-M0LE-2K	up to 2048	up to 2048

25603 Red Brangus Drive, Spicewood, TX 78669
512-264-8390 or 800-SoftPLC (US/Canada)
FAX: 512-264-8399 info@softplc.com



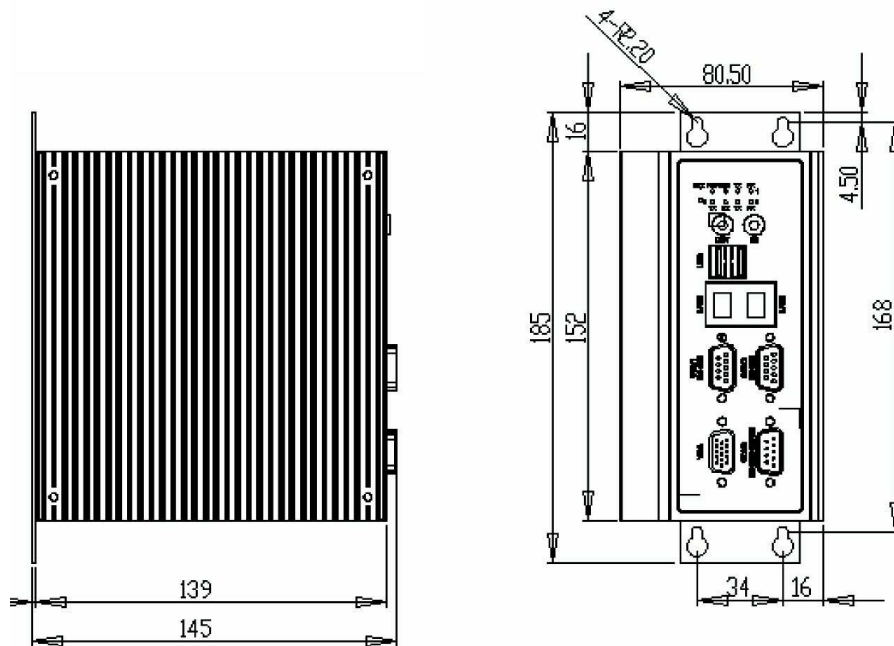
www.softplc.com

Mini Hardbook SoftPLC Specifications

Hardbook HB-M0LC-x Specifications	
System Hardware	
CPU	400 MHz
Memory	256 MB DDR SDRAM
Storage	(1) internal type I/II Compact Flash slot
Indicators	Power, IDE, LAN (Active, Status) and Serial (Tx, Rx)
Watchdog Timer	Programmable
I/O Interfaces	
Ethernet	(2) 10/100MB ports, RJ45
Serial	(1) RS-232 ports, 9 pin D-sub (2) RS-232/422/585 ports, 9 pin D-sub
USB	(2) USB Rev. 1.1 compliant
Power Supply	
Type	Din Rail Mount Power Supply (ICO-PS2024)
Power Consumption	15 W (typical)
Power Requirement	Min. 24W (10~36 VDC, 24V @ 1A)
Enclosure	
Construction	Heavy Duty Aluminum + SECC, Fanless
Mounting	Din-rail or Panel Mount Brackets included
Dimensions (LxWxH)	3.4 x 6.1 x 5.6 in 85 x 155 x 140 mm
Weight (approx.)	3.527 lbs 1.6 kg

Environmental		
Operating Temp	-10 ~ 60°C	14 ~ 140°F
Storage Temp	-20 ~ 80°C	-4 ~ 176°F
Humidity	20 ~ 95%, non-condensing, operating 0 ~ 95%, non-condensing, storage	
Shock Protection	IEC 68 2-27 CompactFlash: 50 G@wall mount, half sine, 11ms	
Vibration Protection	IEC 62 2-24 (Random 1 Oct/min, 1 hr/axis) CompactFlash: 2 Grms @ 5~500 Hz	
Standards	CE, FCC Class A, UL, CCC	

Recommended Options	
ICO-PS2024	Din Rail Mount Power Supply, 20W, 24VDC
SPZ-WEB	SoftPLC Embedded Web Server
GCL-x	Gatecraft™ Link Industrial Ethernet Switch
ICO-PSC4812	Uninterruptible Power Supply
ICO-SSx	Surge Suppression Equipment
TDNG-FN	TOPDOC NexGen Development/Maintenance Software



HB-M0LE-x Mounting Diagram
(Dimensions in mm)