

# Mini Hardbook SoftPLC™ Processor

## Cat. No. HB-MOLA-x

### General Description

Hardbook SoftPLC's are open architecture controller CPU's that can connect to a wide variety of I/O and communication networks. Hardbook SoftPLC's are customized at the factory to application specific configurations and include hardware assembly, driver installation, system software configuration, and system level testing.

Hardbook SoftPLC models differ only in the discrete I/O capacity (see table). Analog or special purpose module I/O channels allowed are limited only by the selected hardware, not the SoftPLC. For Tealware I/O, allow for 16 discrete points for every 4 analog channels, input or output respectively based on the module type.

### Mini Hardbook SoftPLC Features

Hardbook SoftPLC's include the rich set of functions provided by SoftPLC Control Software, including:

- ◆ Powerful Ladder Logic instruction set
- ◆ Loadable Instructions for specialized or user-written functions
- ◆ Unlimited user application memory for logic and data table
- ◆ All application documentation resides in the SoftPLC CPU



Front View

- ◆ Wide variety of I/O Drivers - ModbusTCP, Tealware™, Modbus Serial, and many others
- ◆ Communication Drivers - A-B Ethernet, DF1, Modbus serial, ModbusTCP/UDP, others
- ◆ Compatible with all HMI/SCADA products
- ◆ Embedded Gatecraft™ Firewall technology
- ◆ Ladder logic/data table addressing similar to Allen-Bradley PLC-5/SLC-500 with import/conversions available
- ◆ (2) Ethernet ports, (1) Serial, (2) USB communication port
- ◆ Heavy Duty Metal Enclosure
- ◆ Fanless operation
- ◆ Removable Compact Flash

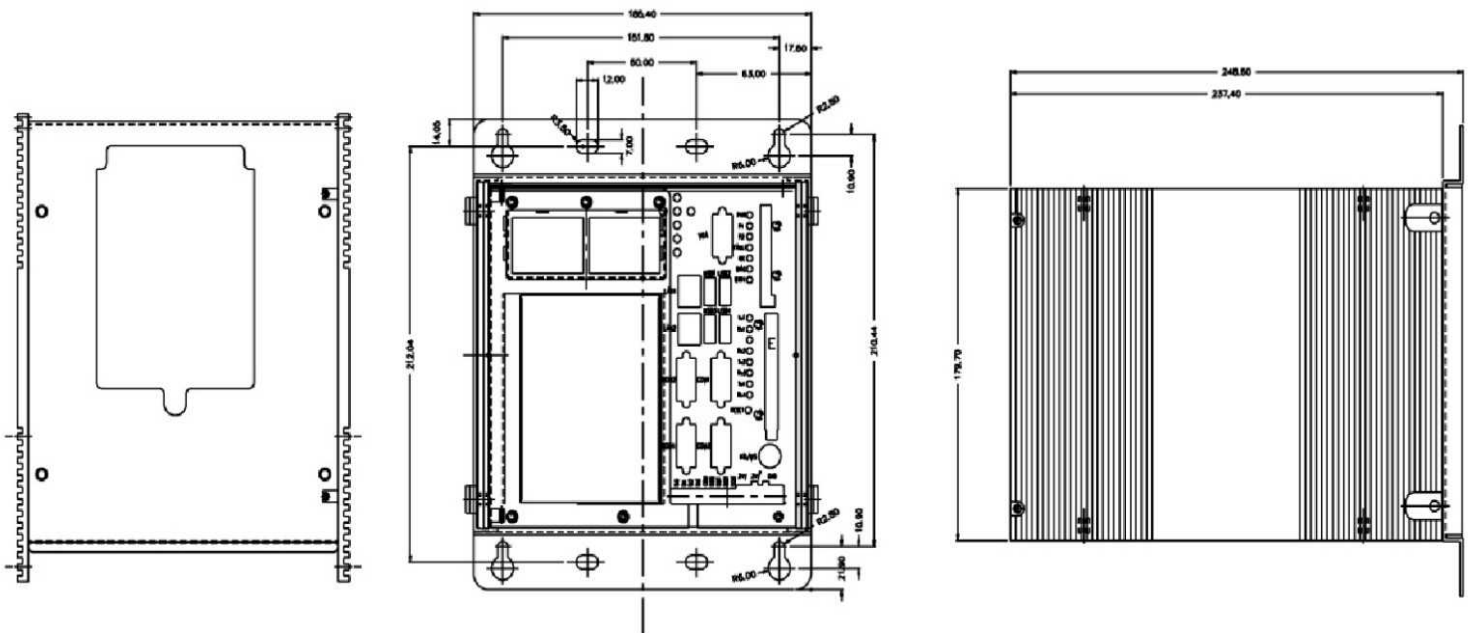
Available Models & I/O Capacities

Catalog Number	Discrete Inputs	Discrete Outputs
HB-M0LA-LT	up to 128	up to 128
HB-M0LA-1K	up to 1024	up to 1024
HB-M0LA-2K	up to 2048	up to 2048

## Mini Hardbook SoftPLC Specifications

Hardbook HB-M0LA-x Specifications	
System Hardware	
<b>CPU</b>	1.2GHz
<b>Memory</b>	512MB DDRAM
<b>Storage</b>	128MB removable Industrial Compact Flash card, expandable to 8GB
<b>Expansion/Options</b>	Internal Wireless Modem option
I/O Interfaces	
<b>Ethernet</b>	(2) 10/100MB ports, RJ45
<b>Serial</b>	(1) RS-232 port, 9 pin D-sub
<b>USB</b>	(2) USB 2.0 ports
Power Supply	
<b>Type</b>	External 20W AC Adapter included , (optional) Din Rail Mount Power Supply (ICO-PS4005)
<b>Output Voltage</b>	5VDC
<b>Input</b>	100-240VAC input, 50/60 Hz
Enclosure	
<b>Construction</b>	Heavy Duty Metal, Fanless
<b>Dimensions(LxWxH)</b>	6.7 x 4.84 x 2.21 in    170 x 123 x 56 mm
<b>Weight (approx.)</b>	2.1 lbs    970 g
Environmental	
<b>Operating Temp</b>	0 ~ 60°C    32 ~ 140°F
<b>Humidity</b>	0 ~ 90%, non-condensing
<b>Standards</b>	CE/FCC/RoHS

Recommended Options	
<b>ICO-PS4005</b>	Din Rail Mount Power Supply, 30W, 5VDC
<b>SPZ-WEB</b>	SoftPLC Embedded Web Server
<b>GCL-x</b>	Gatecraft™ Link Industrial Ethernet Switch
<b>ICO-SSx</b>	Surge Suppression Equipment
<b>TDNG-FN-x</b>	TOPDOC NexGen Development/Maintenance Software



HB-M0LA-x Mounting Diagram  
(Dimensions in mm)