

Tiny Hardbook SoftPLC™ Processor

Cat. No. HB-TOLA-x

General Description

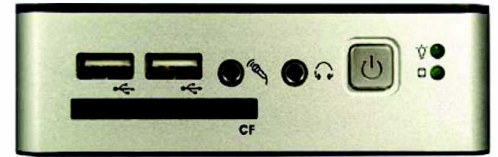
Hardbook SoftPLC's are open architecture controller CPU's that can connect to a wide variety of I/O and communication networks. Hardbook SoftPLC's are customized at the factory to application specific configurations and include hardware assembly, driver installation, system software configuration, and system level testing.

Hardbook SoftPLC models differ only in the discrete I/O capacity (see table). Analog or special purpose module I/O channels allowed are limited only by the selected hardware, not the SoftPLC. For Tealware I/O, allow for 16 discrete points for every 4 analog channels, input or output respectively based on the module type.

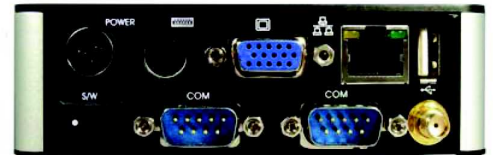
Tiny Hardbook SoftPLC Features

Hardbook SoftPLC's include the rich set of functions provided by SoftPLC Control Software, including:

- ◆ Powerful Ladder Logic instruction set
- ◆ Loadable Instructions for specialized or user-written functions
- ◆ Unlimited user application memory for logic and data table
- ◆ All application documentation resides in the SoftPLC CPU
- ◆ Wide variety of I/O Drivers - ModbusTCP, Tealware™, and many others
- ◆ Communication Drivers - A-B Ethernet, DF1, Modbus serial, ModbusTCP/UDP, others
- ◆ Compatible with all HMI/SCADA products
- ◆ Embedded Gatecraft™ Firewall technology
- ◆ Ladder logic/data table addressing similar to Allen-Bradley PLC-5 / SLC-500 with import / conversions available
- ◆ Ethernet port, (2) Serial, (2) USB communication ports
- ◆ Heavy Duty Metal Enclosure
- ◆ Fanless operation
- ◆ Removable Compact Flash



Front View



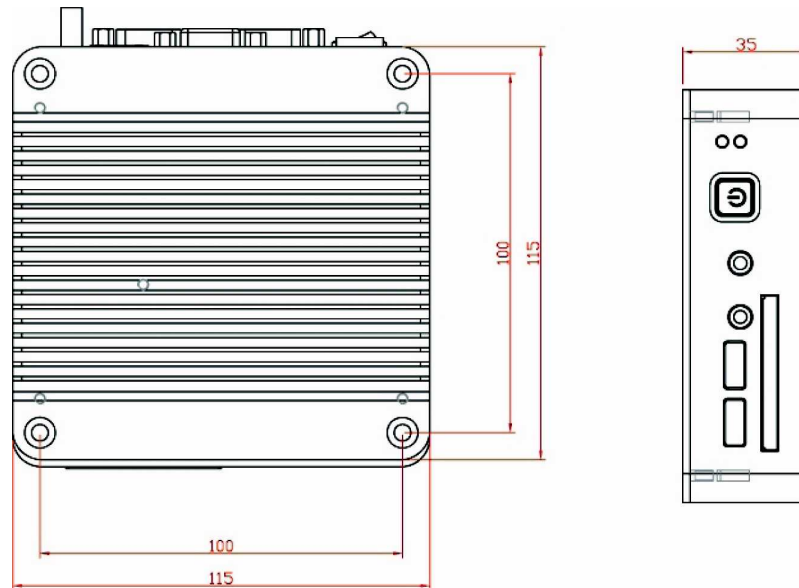
Rear View

| Available Models & I/O Capacities | | |
|-----------------------------------|-----------------|------------------|
| Catalog Number | Discrete Inputs | Discrete Outputs |
| HB-TOLA-LT | up to 128 | up to 128 |
| HB-TOLA-1K | up to 1024 | up to 1024 |

Tiny Hardbook SoftPLC Specifications

| Hardbook HB-T0LA-x Specifications | |
|-----------------------------------|--|
| System Hardware | |
| CPU | 500MHz |
| Memory | 512MB DDR2 RAM |
| Storage | 128MB removable Industrial Compact Flash card, expandable to 8GB |
| Expansion/Options | Internal Wireless Modem option |
| I/O Interfaces | |
| Ethernet | (1) 10/100MB port, RJ45 |
| Serial | (2) RS-232 ports, 9 pin D-sub |
| USB | (2) USB 2.0 ports |
| Power Supply | |
| Type | External 15W AC Adapter included , (optional) Din Rail Mount Power Supply (ICO-PS2005) |
| Output Voltage | 5VDC |
| Input | 100-240VAC input, 50/60 Hz |
| Enclosure | |
| Construction | Heavy Duty Metal, Fanless |
| Mounting | VESA Mounting Holes |
| Dimensions(LxWxH) | 4.53 x 4.53 x 1.38 in 115 x 115 x 35 mm |
| Weight (approx.) | 1.1 lbs 505 g |
| Environmental | |
| Operating Temp | 0 ~ 60°C 32 ~ 140°F |
| Humidity | 0 ~ 90%, non-condensing |
| Standards | CE/FCC/RoHS |

| Recommended Options | |
|---------------------|--|
| ICO-PS2005 | Din Rail Mount Power Supply, 15W, 5VDC |
| SPZ-WEB | SoftPLC Embedded Web Server |
| GCL-x | Gatecraft™ Link Industrial Ethernet Switch |
| ICO-SSx | Surge Suppression Equipment |
| TDNG-FN-x | TOPDOC NexGen Development/Maintenance Software |



HB-T0LA- x Mounting Diagram
(Dimensions in mm)