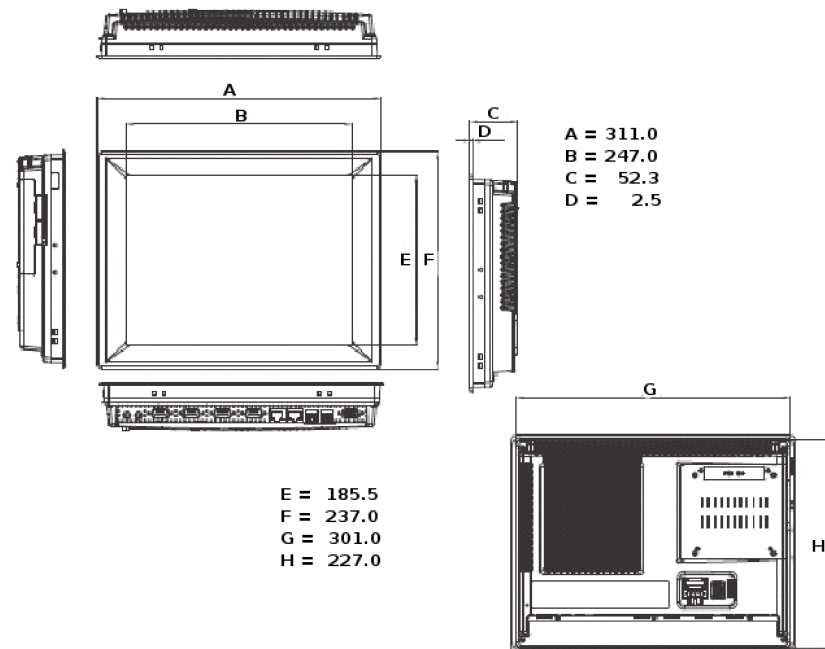


# SoftPLC Web Studio HMI - Models SSH-I2WI5, -I2W4K

| FUNCTIONALITY    |            |            |
|------------------|------------|------------|
| Model            | SSH-12W15  | SSH-12W4K  |
| Tags / Drivers   | 1500 / 3   | 4000 / 5   |
| Operating System | Windows XP | Windows XP |
| Storage          | 32GB SSD   | 32GB SSD   |

| SPECIFICATIONS     |  |   |                                      |
|--------------------|--|---|--------------------------------------|
| SYSTEM HARDWARE    |  | LCD DISPLAY                               |                                      |
| CPU                | 1.4GHz Pentium M 2M cache                  | Display Size / Type 12.1" SVGA TFT LCD    |                                      |
| Ports              | LAN (1) 10/100/1000Base-T (1) 10/100Base-T | Max Resolution 800 X 600                  |                                      |
|                    | Serial (3) RS-232 (1) RS232/485/422        | Max Colors 262K                           |                                      |
|                    | USB (4) USB 2.0                            | Luminance cd/m <sup>2</sup> 350           |                                      |
|                    | Other (1) VGA, MIC, Line-In, Line-Out      | Viewing Angle (H/V) 140/120               |                                      |
| Expansion          | (1) Compact Flash, (1) PCI-104             | Backlight Life 50,000 hours               |                                      |
| Memory             | 1GB DDR2 SDRAM                             | Contrast Ratio 500:1                      |                                      |
| Watchdog Timer     | 1~255 sec (system)                         | <b>ENVIRONMENT</b>                        |                                      |
| <b>TOUCHSCREEN</b> |  | Humidity                                  | 10 ~ 95% @ 40°C, non-condensing      |
| Lifespan (min)     | 1M activations                             | Protection                                | Ingress Front Panel: NEMA4, IP65     |
| Light Transmission | Above 75%                                  |   | Vibration 1 Grms (Operating, Random) |
| Resolution / Type  | Linearity / 5-wire, analog resistive       | Temperature                               | Operating 0 ~ 50°C, 32 ~ 122°F       |
|                    |  |   | Storage -20 ~ 60°C, -4 ~ 140°F       |
|                    |  | Certifications                            | BSMI, CCC, CE, FCC, UL               |
| MECHANICAL         |  |   |                                      |
| Enclosure          | Al-Mg (front bezel) & ABS (housing)        | Power                                     | Consumption 40W                      |
| Weight (Net)       | 3.3 kg, 7.28 lbs                           |   | Input 18 ~ 32VDC                     |
| Cooling System     | Fanless Design                             | Recommended Power Supply ICO-PS12024      |                                      |
| Dimensions (WxHxD) | 12.24 x 9.33 x 2.06 in 311 x 237 x 52.3 mm | Panel Cut-Out Dimensions 302.5 x 228.5 mm |                                      |

## Dimensions Units = mm



## Rear View

