

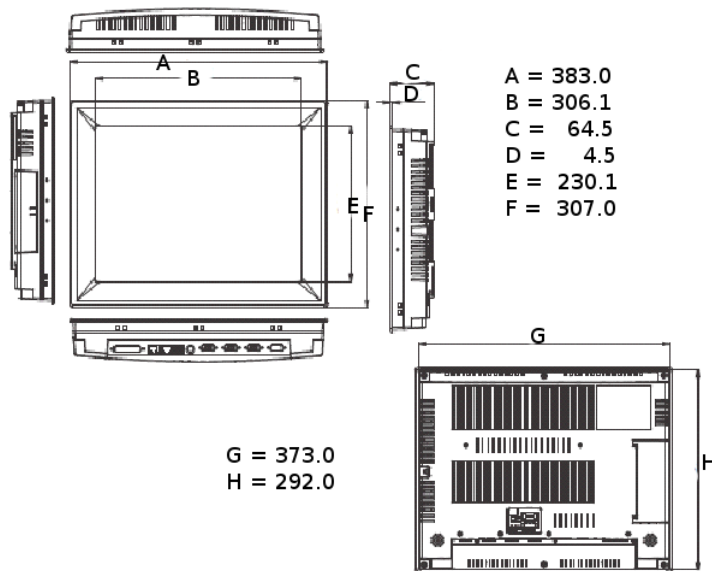
SoftPLC Web Studio - HMI Models SSH-15WI5, -15W4K

FUNCTIONALITY		
Model	SSH-15W15	SSH-15W4K
Tags / Drivers	1500 / 3	4000 / 5
Operating System	Windows XP	Windows XP
Storage	32GB SSD	32GB SSD

SPECIFICATIONS				
SYSTEM HARDWARE		LCD DISPLAY		
CPU	1GHz CeleronM, 512K cache	Display Size / Type	15" XGA TFT LCD	
Ports	LAN	(1) 10/100/1000Base-T + 10/100Base-T	Max Resolution	1024 X 768
	Serial	(3) RS-232 (1) RS232/485/422	Max Colors	262K
	USB	(2) USB 2.0	Luminance cd/m ²	350
	Other	PS/2, Parallel, VGA, MIC, Line-In, Line-Out	Viewing Angle (H/V)	120/100
Expansion	(1) Compact Flash, (1) PCMCIA	Backlight Life	50,000 hours	
Memory	1GB DDR SDRAM	Contrast Ratio	500:1	
Watchdog Timer	1~255 sec (system)	ENVIRONMENT		
TOUCHSCREEN		Humidity	10 ~ 95% @ 40°C, non-condensing	
Lifespan (min)	1M activations	Protection	Ingress	Front Panel: NEMA4, IP65
Light Transmission	Above 75%		Vibration	1 Grms (Operating, Random)
Resolution / Type	Linearity / 8-wire, analog resistive	Temperature	Operating	0 ~ 50°C, 32 ~ 122°F
			Storage	-20 ~ 60°C, -4 ~ 140°F
		Certifications	BSMI, CCC, CE, FCC, UL	
MECHANICAL				
Enclosure	Al-Mg (front bezel) & PC (housing)	Power	Consumption	42W
Weight (Net)	5 kg, 11.02 lbs		Input	18 ~ 32VDC
Cooling System	Fanless Design	Recommended Power Supply		ICO-PS12024
Dimensions (WxHxD)	15.08 x 12.09 x 2.54 in 383 x 307 x 64.5 mm	Panel Cut-Out Dimensions		374.5 x 298.5 mm

Dimensions

Units = mm



Rear View

- a. VGA
- b. COM (RS-232)
- c. COM (RS-232/422/485)
- d. PS/2
- e. USB 2.0
- f. LAN (10/100/1000)
- g. LPT
- h. Audio (Mic, Line Out, Line In)
- i. PCMCIA
- j. Compact Flash
- k. Power Switch, Fuse (3.15A), Power Receptor
- l. Speaker

